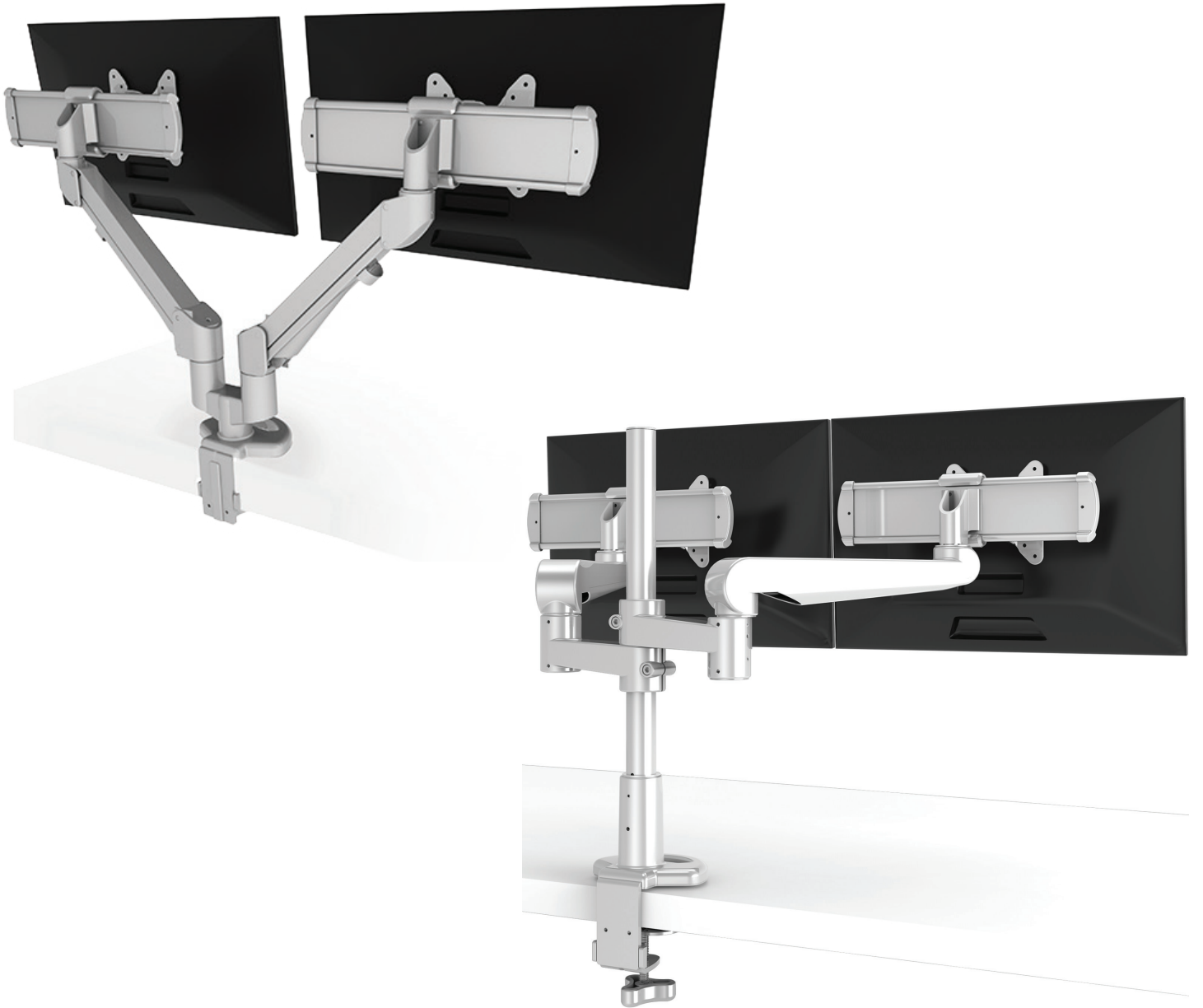


# Fellowes®



**Edge<sup>®</sup> and Evolve**  
Monitor Arm Series





## *Refined to Distinction*

The Edge/Evolve Monitor Arms from Fellowes are beautifully designed to blend form and function for an elevated viewing experience. Built as an adaptable system to achieve true positional freedom, Edge/Evolve can be effortlessly moved and adjusted as needs change throughout the day.

Crafted with elegant lines and a minimalist aesthetic, Edge/Evolve's refined styling brings bold vibrancy to any workspace. And like all Fellowes designs, Edge/Evolve is meticulously engineered for reliable performance when supporting the vital information of your workday.

## *Flexible and Adaptable*

The Edge/Evolve's thoughtful design intuitively accommodates individual needs and preferences, without elaborate reconfigurations. This allows for unmatched versatility and scalability depending on equipment and arrangement requirements. Whether supporting one monitor or six, Edge/Evolve's universal components allow any user to create the workstation they need today, while still having the freedom to create a different one tomorrow.

As modern office spaces become more multi-functional, some desktops and work surfaces require expanded installation and movement range. Edge/Evolve's full line of mounting options, including desk base, pole, wall, and slat, allow for installation in almost any scenario. And with the ability to move at multiple points, Edge/Evolve offers dynamic, full range of motion to reflect how and where you work.

## *Height Adjustment*

Edge/Evolve monitor arms are easily adjusted to your desired height, tilt, and distance, letting your monitor meet your optimum viewing level and preventing uncomfortable neck strain. For added versatility, pole-mounted configurations allow additional height flexibility – perfect for alternating between standing and sitting. And with many configurations featuring finger-touch dynamic height adjustment, you can enjoy cutting-edge versatility with ease.

## *Slider Mount*

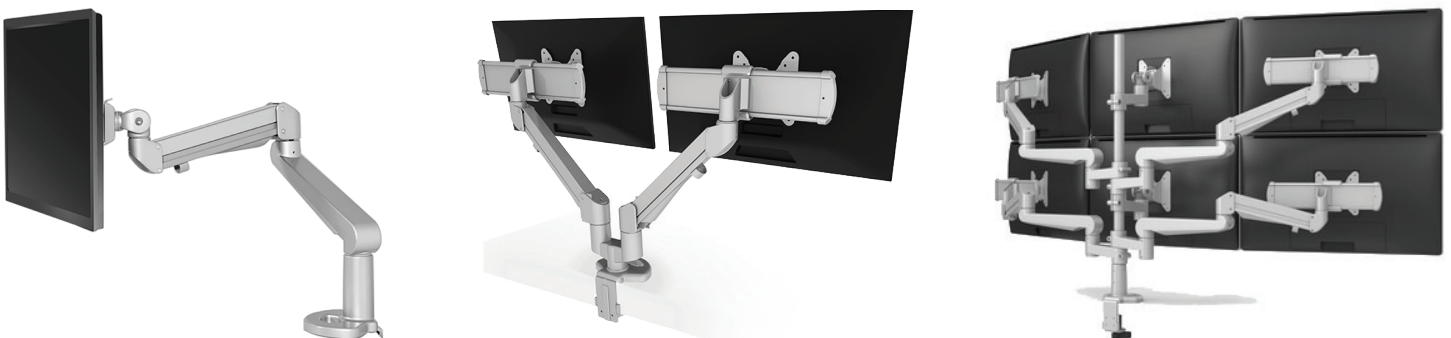
Position virtually any monitor arm side-by-side with a slider. Offering an extra 9.5 inches of horizontal adjustability, Fellowes' slider allows even large displays to be viewed simultaneously for maximized ergonomics.

## *Accommodates Varying Workstations*

By retracting and extending, Edge/Evolve offers a comfortable viewing distance no matter the size of the workstation. For added safety and protection, a 180° lockout prevents the arm from retracting past the back edge of the worksurface.

## *Rotate and Tilt*

Perfect for shared spaces and multiple screens, each monitor arm includes a VESA mount, capable of swiveling  $\pm 90^\circ$  between portrait and landscape orientation while also being able to tilt monitors backward and forward. Combining ease of movement and reliable support, Edge/Evolve makes it possible to dynamically redirect monitor positions for truly collaborative work.





**Fellowes** | FAMILY BUSINESS  
SINCE 1917

To contact a Fellowes® customer service representative, call 800-833-3746.

© 2023 Fellowes, Inc.

BRO-231 | REV 09/23